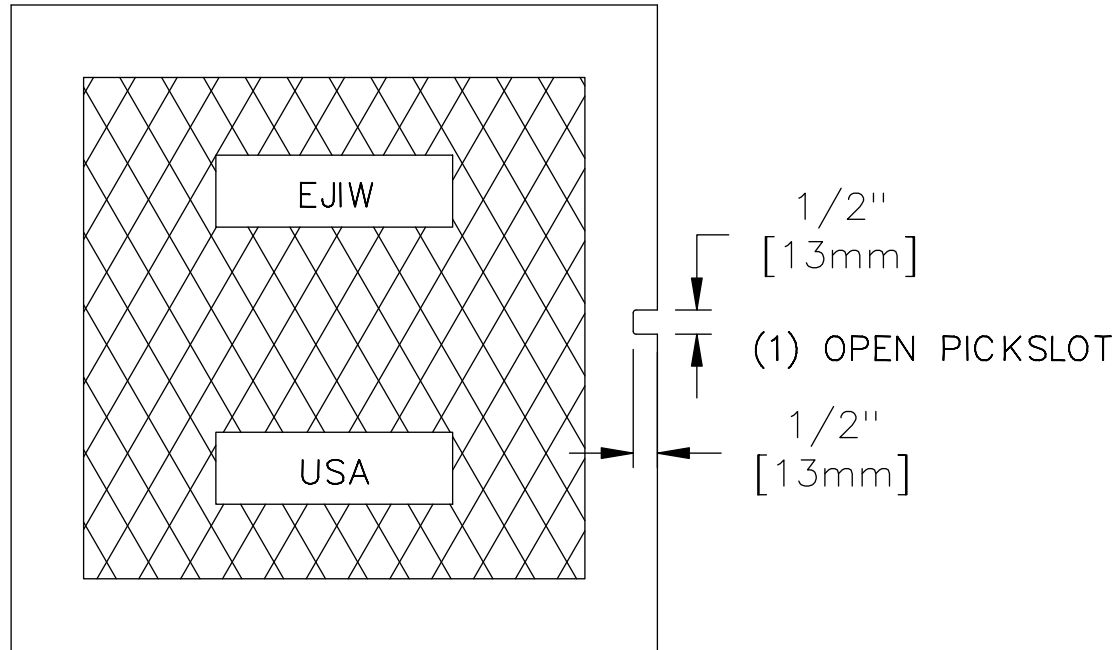
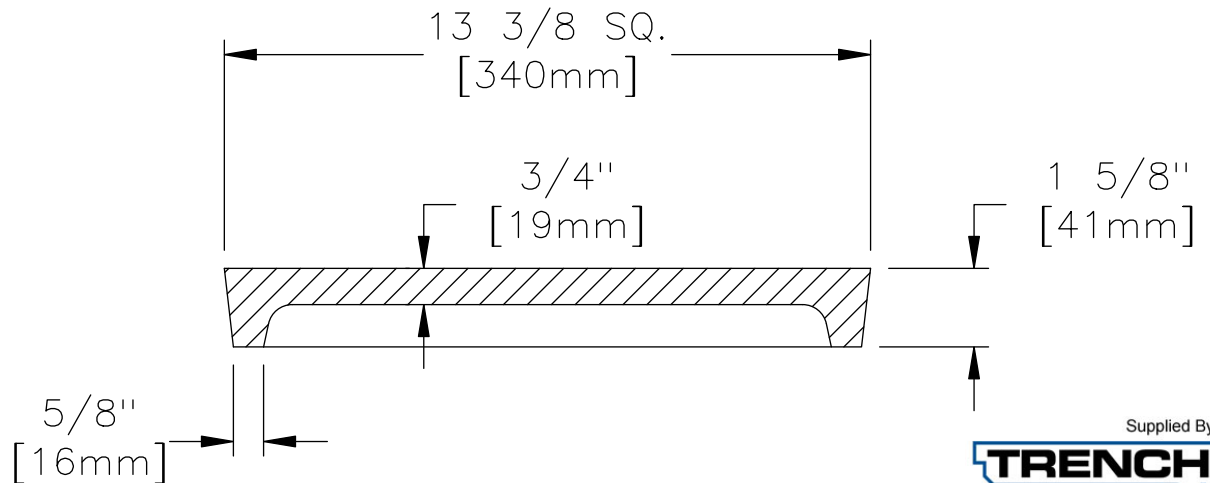


EAST JORDAN
 IRON WORKS, INC.
 P.O. BOX 439
 EAST JORDAN, MI. 49727
 1-800-874-4100
 FAX 231-536-4458

DRAWN DAL	DATE 04/19/06
APPROVED	DATE



COVER TOP VIEW



COVER SECTION

Supplied By:
**TRENCHDRAIN
 SUPPLY**
 877-903-7246
 www.trenchdrainsupply.com

COVER	
PRODUCT NO. 46713020	
CATALOG NO. V-6713	
REF. PRODUCT DRAWING NA	
EST. WT. COVER: 40 LBS 18kg	
OPEN AREA N/A	
MAT'L SPEC. COVER – GRAY IRON ASTM A48 CL30	
LOAD RATING HEAVY DUTY	